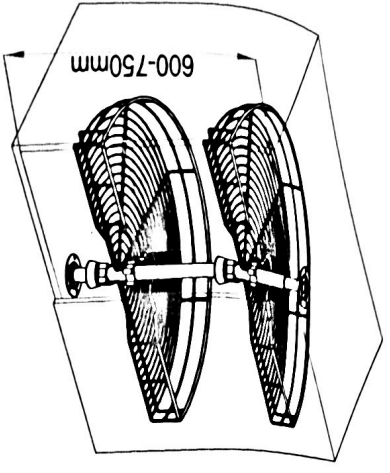
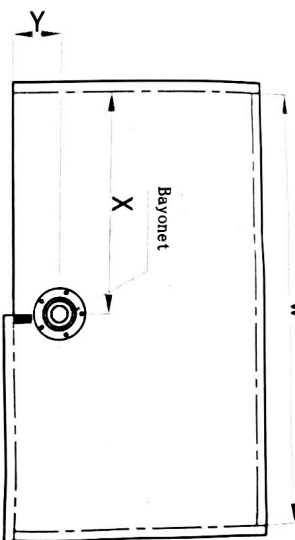


Name	Cabinet width(W)	Size
180°Revolving Basket	700 mm	Φ640*(600-750)
180°Revolving Basket	750 mm	Φ680*(600-750)
180°Revolving Basket	800 mm	Φ740*(600-750)
180°Revolving Basket	900 mm	Φ840*(600-750)

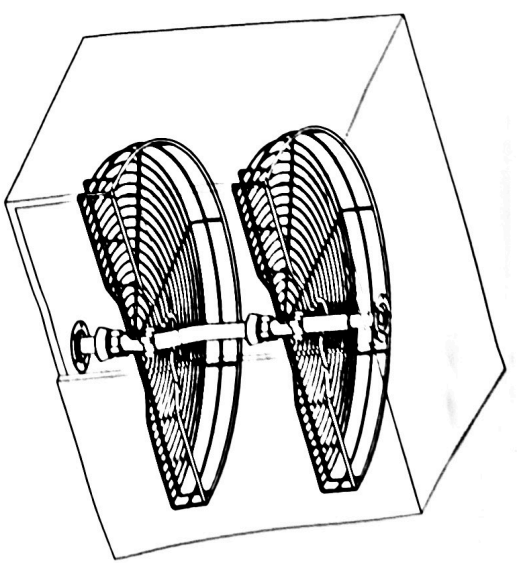


**1** As shown in the figure, drill 5 holes  $\Phi 2.5$  in the bottom plate and the top plate of the cabinet

Cabinet width(W)	X	Y
700	W/2	85
750	W/2	85
800	W/2	85
900	W/2	85

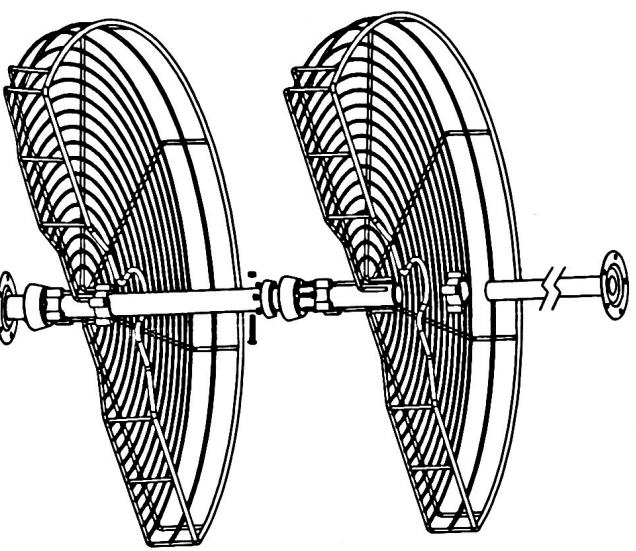


**3** Install the basket into the cabinet and fix it with 10pcs ST3, 5\*16 screws.



**2** Basket Installing

No.	Name	Picture	Qty
1	Adjustable Tube		1
2	Supporting Tube		1
3	3.5*16 Screw		10
4	Supporting Part		4
5	M4*16 Screw		6
6	Central Bushing		2
7	Locking		2
8	M4 Nut		6
9	M5*35 Screw		2
10	M5 Nut		2



**4** Fixing M5\*35 screws, then fixing M4\*16screws.

